

# PLATINUM BEAM 5R EXTREME™

user manual 1.0

©2014 **ELATION PROFESSIONAL** all rights reserved. Information, specifications, diagrams, images, and instructions herein are subject to change without notice. ELATION PROFESSIONAL logo and identifying product names and numbers herein are trademarks of ELATION PROFESSIONAL. Copyright protection claimed includes all forms and matters of copyrightable materials and information now allowed by statutory or judicial law or hereinafter granted. Product names used in this document may be trademarks or registered trademarks of their respective companies and are hereby acknowledged. All non-ELATION brands and product names are trademarks or registered trademarks of their respective companies.

**ELATION PROFESSIONAL** and all affiliated companies hereby disclaim any and all liabilities for property, equipment, building, and electrical damages, injuries to any persons, and direct or indirect economic loss associated with the use or reliance of any information contained within this document, and/or as a result of the improper, unsafe, insufficient and negligent assembly, installation, rigging, and operation of this product.

**Elation Professional USA** | 6122 S. Eastern Ave. | Los Angeles, CA. 90040  
323-582-3322 | 323-832-9142 fax | [www.elationlighting.com](http://www.elationlighting.com) | [info@elationlighting.com](mailto:info@elationlighting.com)

**Elation Professional B.V.** | Junostraat 2 | 6468 EW Kerkrade, Netherlands  
+31 45 546 85 66 | +31 45 546 85 96 fax | [www.elationlighting.eu](http://www.elationlighting.eu) | [info@elationlighting.eu](mailto:info@elationlighting.eu)

## CONTENTS

General Information	4
Warranty	6
Safety Instructions	7
General Guidelines	8
Discharge Lamp Warning	9
Fixture Overview	10
Lamp Installation Instructions	11
Fixture Installation	19
Understanding DMX	22
Fixture Menu	26
EWDMX Wireless DMX Receiver Set Up	36
DMX Channel Functions And Values	38
Error Codes	41
Cleaning and Maintenance	43
Technical Specifications	44
Optional Accessories	47
cETLus Approval Mark	47

## GENERAL INFORMATION

### INTRODUCTION

Congratulations, you have just purchased one of the most innovative and reliable lighting fixtures on the market today! The **PLATINUM BEAM 5R EXTREME™** has been designed to perform reliably for years when the guidelines in this booklet are followed. Please read and understand the instructions in this manual carefully and thoroughly before attempting to operate this unit. These instructions contain important information regarding safety during use and maintenance.

### UNPACKING

Thank you for purchasing the **PLATINUM BEAM 5R EXTREME™** by Elation Professional®. Every **PLATINUM BEAM 5R EXTREME™** has been thoroughly tested and has been shipped in perfect operating condition. Carefully check the shipping carton for damage that may have occurred during shipping. If the carton appears to be damaged, carefully inspect your unit for damage and be sure all accessories necessary to operate the unit have arrived intact. In the event damage has been found or parts are missing, please contact our customer support team for further instructions. Please do not return this unit to your dealer without first contacting customer support at the number listed below. Please do not discard the shipping carton in the trash. Please recycle whenever possible.

### BOX CONTENTS

- (2) Omega Brackets
- (1) 3pin DMX Cable
- (1) powerCON Cable
- (1) Safety Cable
- Manual & Warranty Card



### MANUAL UPDATES

Please check [www.elationlighting.com](http://www.elationlighting.com) for the latest updated version of this manual.

## CUSTOMER SUPPORT

Elation Professional® provides a customer support line, to provide set up help and to answer any question should you encounter problems during your set up or initial operation. You may also visit us on the web at [www.elationlighting.com](http://www.elationlighting.com) for any comments or suggestions. For service related issue please contact Elation Professional®.

### **ELATION SERVICE USA - Monday - Friday 8:00am to 5:00pm PST**

**Voice: 323-582-3322**

**Fax: 323-832-9142**

E-mail: [support@elationlighting.com](mailto:support@elationlighting.com)

### **ELATION SERVICE EUROPE - Monday - Friday 08:30 to 17:00 CET**

**Voice: +31 45 546 85 30**

**Fax: +31 45 546 85 96**

E-mail: [support@elationlighting.eu](mailto:support@elationlighting.eu)

## WARRANTY REGISTRATION

The **PLATINUM BEAM 5R EXTREME™** carries a two-year (730 days) limited warranty. Please fill out the enclosed warranty card to validate your purchase. All returned service items whether under warranty or not, must be freight pre-paid and accompany a return authorization (R.A.) number. The R.A. number must be clearly written on the outside of the return package. A brief description of the problem as well as the R.A. number must also be written down on a piece of paper and included in the shipping container. If the unit is under warranty, you must provide a copy of your proof of purchase invoice. Items returned without a R.A. number clearly marked on the outside of the package will be refused and returned at customer's expense. You may obtain a R.A. number by contacting customer support.



## **IMPORTANT NOTICE!**

**There are no user serviceable parts inside this unit. Do not attempt any repairs yourself; doing so will void your manufactures warranty. Damages resulting from modifications to this fixture and/or the disregard of safety and general user instructions found in this user manual void the manufactures warranty and are not subject to any warranty claims and/or repairs.**

## 2 - YEAR LIMITED WARRANTY

A. Elation Professional® hereby warrants, to the original purchaser, Elation Professional® products to be free of manufacturing defects in material and workmanship for a period of two years, (730 days) from the date of purchase. This warranty shall be valid only if the product is purchased within the United States of America, including possessions and territories. It is the owner's responsibility to establish the date and place of purchase by acceptable evidence, at the time service is sought.

B. For warranty service, send the product only to the Elation Professional® factory. All shipping charges must be pre-paid. If the requested repairs or service (including parts replacement) are within the terms of this warranty, Elation Professional® will pay return shipping charges only to a designated point within the United States. If the entire instrument is sent, it must be shipped in its original package. No accessories should be shipped with the product. If any accessories are shipped with the product, Elation Professional® shall have no liability what so ever for loss of or damage to any such accessories, nor for the safe return thereof.

C. This warranty is void if the serial number has been altered or removed; if the product is modified in any manner which Elation Professional® concludes, after inspection, affects the reliability of the product; if the product has been repaired or serviced by anyone other than the Elation Professional® factory unless prior written authorization was issued to purchaser by Elation Professional®; if the product is damaged because not properly maintained as set forth in the instruction manual.

D. This is not a service contract, and this warranty does not include maintenance, cleaning or periodic check-up. During the period specified above, Elation Professional® will replace defective parts at its expense, and will absorb all expenses for warranty service and repair labor by reason of defects in material or workmanship. The sole responsibility of Elation Professional® under this warranty shall be limited to the repair of the product, or replacement thereof, including parts, at the sole discretion of Elation Professional®. All products covered by this warranty were manufactured after January 1, 1990, and bare identifying marks to that effect.

E. Elation Professional® reserves the right to make changes in design and/or improvements upon its products without any obligation to include these changes in any products theretofore manufactured.

F. No warranty, whether expressed or implied, is given or made with respect to any accessory supplied with products described above. Except to the extent prohibited by applicable law, all implied warranties made by Elation Professional® in connection with this product, including warranties of merchantability or fitness, are limited in duration to the warranty period set forth above. And no warranties, whether expressed or implied, including warranties of merchantability or fitness, shall apply to this product after said period has expired. The consumer's and or Dealer's sole remedy shall be such repair or replacement as is expressly provided above; and under no circumstances shall Elation Professional® be liable for any loss or damage, direct or consequential, arising out of the use of, or inability to use, this product.

G. This warranty is the only written warranty applicable to Elation Professional® Products and supersedes all prior warranties and written descriptions of warranty terms and conditions heretofore published.

## SAFETY INSTRUCTIONS



The **PLATINUM BEAM 5R EXTREME™** is an extremely sophisticated piece of electronic equipment. To guarantee a smooth operation, it is important to follow the guidelines in this manual. The manufacturer of this device will not accept responsibility for damages resulting from the misuse of this fixture due to the disregard of the information printed in this manual.



This device falls under **PROTECTION CLASS 1**. It's essential this device be grounded properly. Only qualified personnel should perform all electrical connections.



### CAUTION!

Never touch the device during operation!  
The housing may heat up



### CAUTION!

Never look directly into the light source,  
as sensitive persons may suffer an epileptic shock.



### CAUTION!

Keep this device away from rain and moisture !



### CAUTION!

Unplug mains lead before opening the housing.

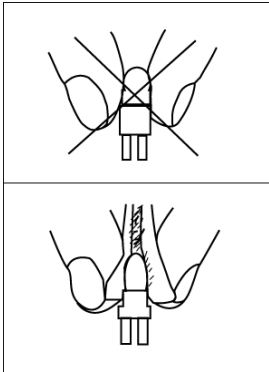
- For proper operation, follow the **Installation** guidelines described in this manual. Only qualified and certified personnel should perform installation of this fixture and only the original rigging parts (brackets) included with this fixture should be used for installation. Any modifications will void the original manufacturer's warranty and increase the risk of damage and/or personal injury.
- Never look directly into the light source of this fixture to prevent risk of injury to your retina, which may induce blindness. Those suffering from **EPILEPSY** should avoid looking directly into the light source of this unit at all times.
- The fan and air inlets must remain clean and never blocked. Allow approx. 6" (15cm) between this fixture and other devices or a wall for proper cooling.
- Always disconnect from main power source before performing any type of service and/or cleaning procedure. Only handle the power cord by the plug end, never pull out the plug by tugging the wire portion of the cord.
- Do not operate this fixture if the power cord has become frayed, crimped and/or damaged. If the power cord is damaged, replace it immediately with a new one of similar power rating.

## GENERAL GUIDELINES

- **NEVER OPEN THIS FIXTURE WHILE IN USE!**
- During the initial operation of this fixture, a light smoke or smell may emit from the interior of the fixture. This is a normal process and is caused by excess paint in the interior of the casing burning off from the heat associated with the lamp and will decrease gradually over time.
- This fixture is a professional lighting effect designed for **INDOOR / DRY LOCATIONS ONLY** on stage, in nightclubs, theatres, etc.
- Please make sure there are **NO FLAMMABLE MATERIALS** close to the fixture while operating, to prevent any fire hazard.
- The fixture must be installed in a location with adequate ventilation, at least 1.5 feet (.5m) from adjacent surfaces. Be sure no air ventilation slots are blocked.
- **DO NOT** attempt installation and/or operation without knowledge how to do so.
- **DO NOT** permit operation by persons who are not qualified to operate this type of fixture. Most damages are the result of operations by nonprofessionals.
- Consistent operational breaks may ensure the fixture will function properly for many years to come.
- **DO NOT** shake fixture, avoid brute force when installing and/or operating fixture.
- Always install the fixture with an appropriate safety cable. When installing the fixture in a suspended environment, always use mounting hardware that is no less than M10 x 25 mm, also be sure the hardware is insert in the pre-arranged screw holes in the bracket of the fixture.
- Use the original packaging and materials to transport the fixture in for service.
- **DO NOT TOUCH** the housing bare-hand during its operation. Turn OFF the power and allow approximately 15 minutes for the fixture to cool down before replacing or serving.




## DISCHARGE LAMP WARNING



This fixture is fitted with a DISCHARGE LAMP, which is highly susceptible to damage if improperly handled. NEVER touch the lamp with your bare hands, as the oil from your hands will shorten the life of the lamp. Also, NEVER move the fixture until the lamp has had ample time to cool. Lamps are NOT covered under warranty conditions.

Avoid switching the fixture ON and OFF repeatedly in short intervals, as this will reduce lamp life and intensity. To achieve the intensity associated with discharge lamps, these lamps use gas sealed in a high-pressure environment to emit a brilliant output.

 Due to the high pressure involved with the construction of the lamp, the lamp **MAY EXPLODE DURING PROLONGED EXTENSIVE USE**. This risk is increased with age; added care is encouraged when dealing with older lamps. Thus, the lamp must always be replaced at the end of their recommended duty cycle. Extreme caution should be used when operating this or any fixture fitted with a gas discharge lamp.



### U V R A D I A T I O N N O T I C E

This fixture emits intense UV radiation, which is harmful to the eyes and skin. The intense luminance of the lamp can cause severe damage to the retina. NEVER operate this fixture with ANY of the protective covers removed. These covers have been specially designed to shield against UV radiation.

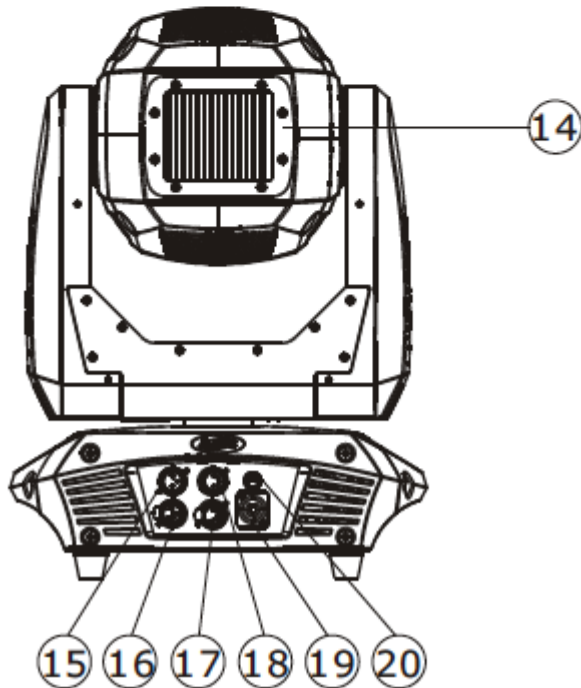
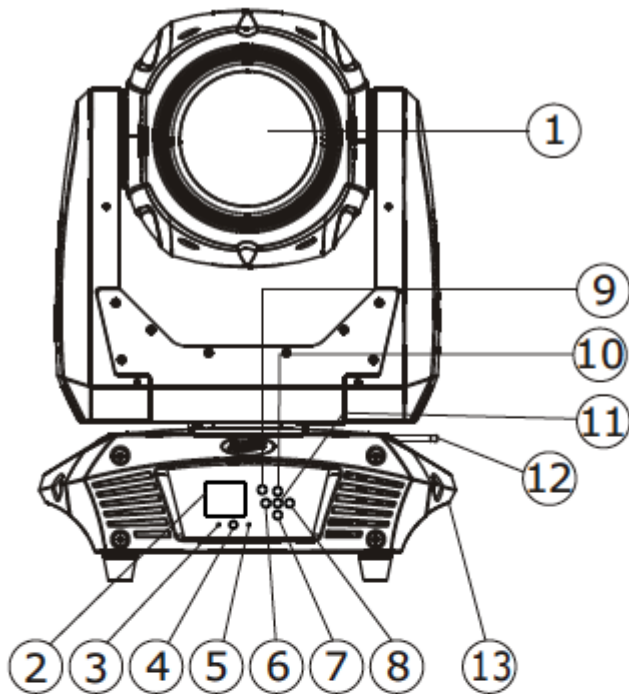


### L A M P R E P L A C E M E N T

Please note that due to the nature of the Phillips™ Platinum 5R Lamp and the optical path of the Elation PLATINUM BEAM 5R EXTREME fixture, the lamp MUST BE replaced at 2,000 hours.

Use only Genuine Original Phillips™ platinum lamps. Other brand lamps may cause damage and void warranty!

## FIXTURE OVERVIEW



1. LED Assembly
2. LCD Menu Function Display
3. Wireless DMX Indicator
4. DC Switch
5. Microphone
6. LEFT Button
7. DOWN Button
8. RIGHT Button
9. MODE/ESC Button
10. UP Button
11. ENTER Button
12. Wireless DMX Antenna
13. Carrying Handle(s)
14. Lamp Access/Cover Panel
15. 3pin DMX Input
16. 3pin DMX Output
17. 5pin DMX Output
18. 5pin DMX Input
19. powerCON Input
20. Fuse

## LAMP INSTALLATION INSTRUCTIONS



### LAMP REPLACEMENT

Please note that due to the nature of the Phillips™ Platinum 5R Lamp and the optical path of the Elation PLATINUM BEAM 5R EXTREME fixture, the lamp **MUST BE** replaced at 2,000 hours.

Use only Genuine Original Phillips™ Platinum 5R Lamps. Other brand lamps may cause damage and void warranty!

### INSTALLING OR REPLACING THE LAMP

To ensure a proper/safe lamp change, carefully read all the following instructions.

### LAMP PROTECTION CIRCUITRY

Because of the nature of the extreme heat associated with the Phillips™ Platinum 5R lamp and the tight nature of the internal optical system, it is **IMPERATIVE** that the lamp be replaced every **2,000 Hours**. This is done to protect the internal optical system as well as prevent accidental lamp explosion, which could lead to hot glass particles falling from the fixture.



**FAILURE TO CHANGE THE LAMP WITHIN 300 HOUR of the 2,000 HOUR RATED LIFE, WILL CAUSE THE FIXTURE TO AUTOMATICALLY SHUT DOWN!**

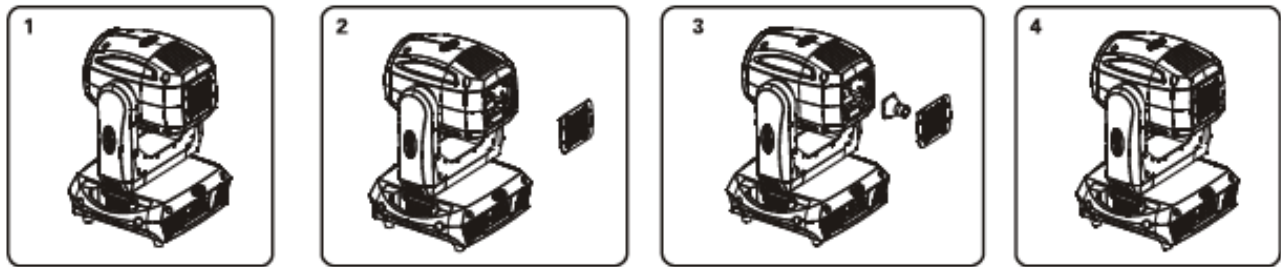
At **2,000 Hours** the LCD control display will begin to flash, **“Replace The Lamp”** and the lamp will flicker for the first five minutes of operation. At this point the lamp has reached the maximum rated life and should be replaced immediately. After the lamp has flickered for about five minutes it should strike normally allowing the fixture to be used temporarily until a replacement lamp can be installed. The fixture will continue to operate for an additional 300 hours, however the **“Replace the Lamp”** warning will continue to flash in the display. Keep in mind that the flicker protection circuitry will only work for about 300 Hours (lamp clock life of 2,000-2,300 Hours).

**After 2,300 Hours** the fixture will no longer respond to DMX commands and immediately enter a hibernation mode that will electronically discontinue all fixture functionality with the exception of a few menu commands. The fixture will continue to enter hibernation mode until the lamp is replaced and the lamp clock has been reset. To replace the lamp follow the safety guidelines and procedures listed on the next page.

### LAMP SAFETY INSTRUCTIONS

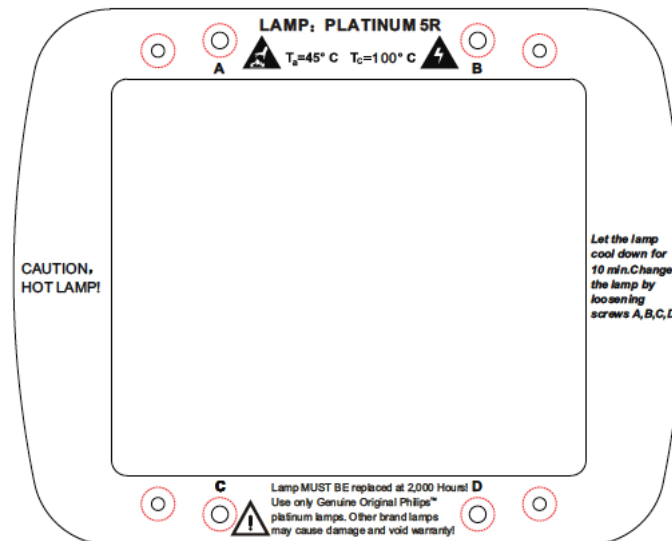
- ALWAYS replace lamp every 2,000 Hours.
- Use only Genuine Original Phillips™ Platinum 5R lamps. Other brand lamps may cause damage and void the warranty!
- NEVER touch the lamp with your bare hands, as the oil from your hands will shorten the life of the lamp.
- Always disconnect the fixture's main power supply before replacing lamp.
- Allow fixture to cool for at least 15 minutes before attempting any type of service.
- Make sure ALL covers/panels are replaced/secured before operating the fixture to prevent any risk and/or damage to eye retina from UV Radiation exposure!

### LAMP INSTALLATION PROCEDURE

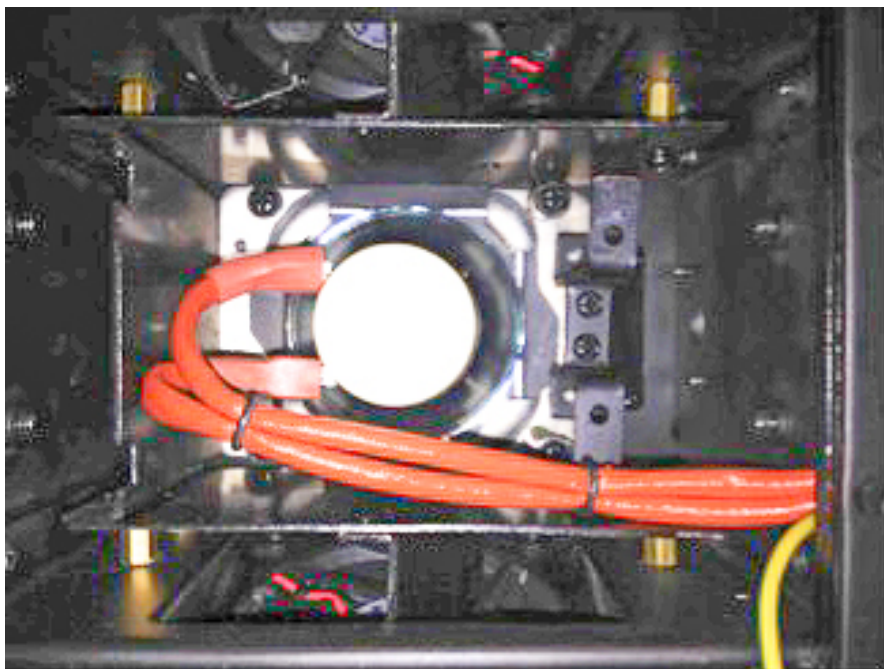


1. Place fixture on a flat surface and remove (4) screws marked "A", "B", "C", and "D" and then remove rear cover plate (see image below) to access the lamp.

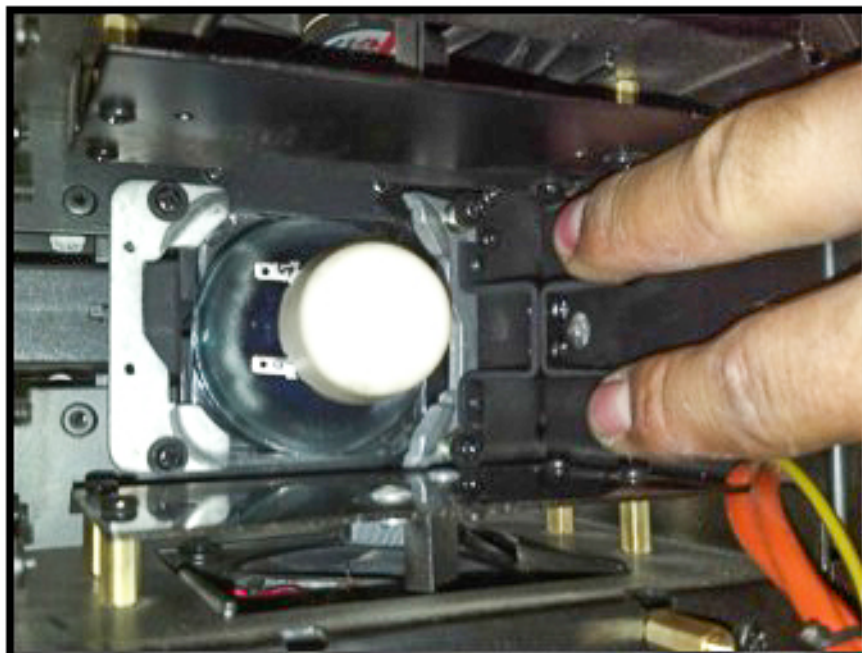
### LAMP COVER PLATE



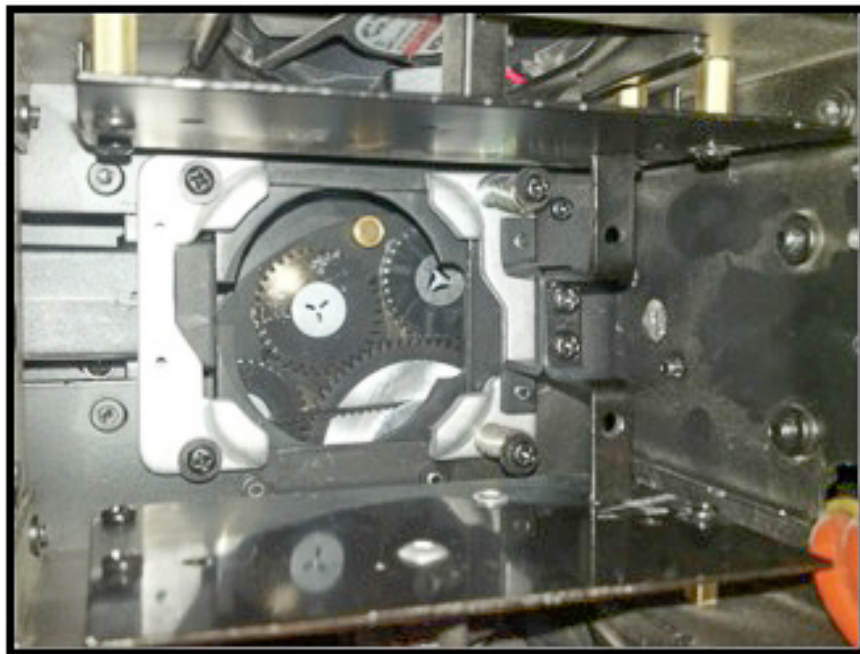
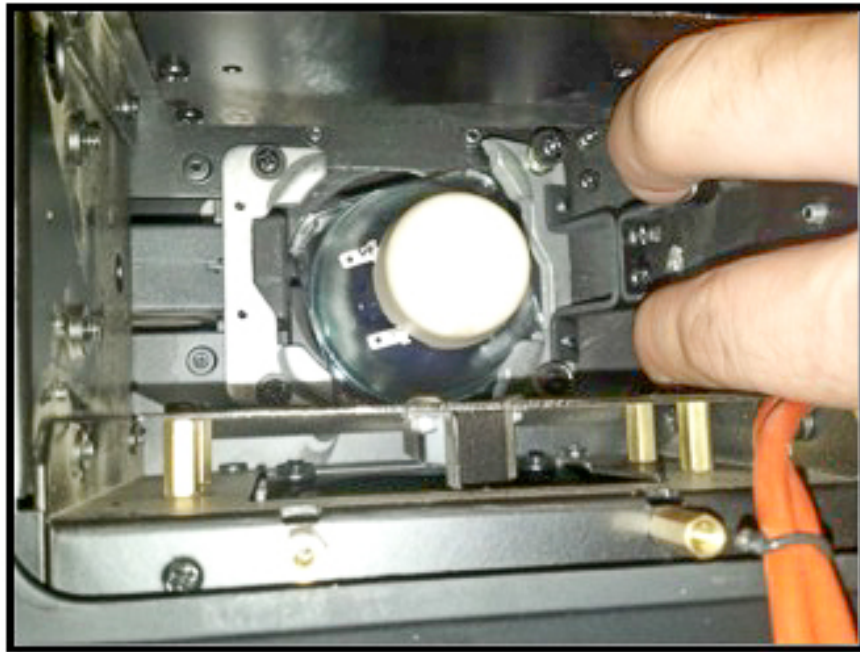
2. Gently remove **(2) Red Wires** connected to spade terminals on base of lamp.



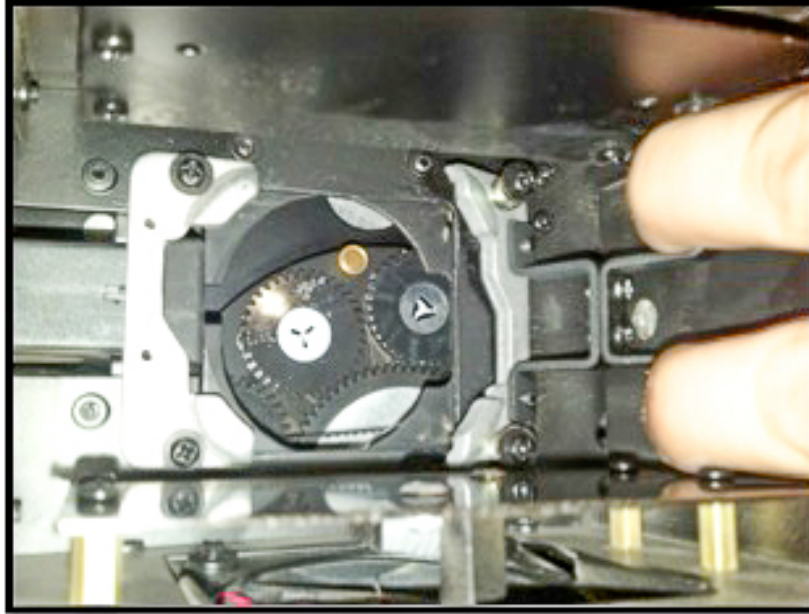
3. Using two fingers on your **RIGHT** hand, pull the retention handle **OUT** and towards the **RIGHT** as far as possible.



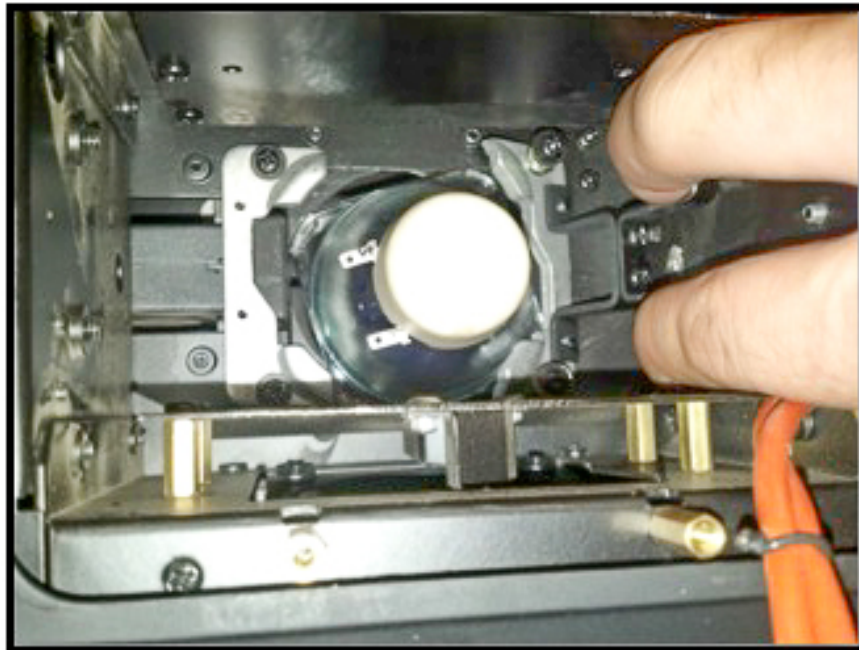
4. While pulling the retention handle with your **RIGHT** hand, use your **LEFT** hand to gently twist the lamp **COUNTERCLOCKWISE** to remove it from under the retention brackets.



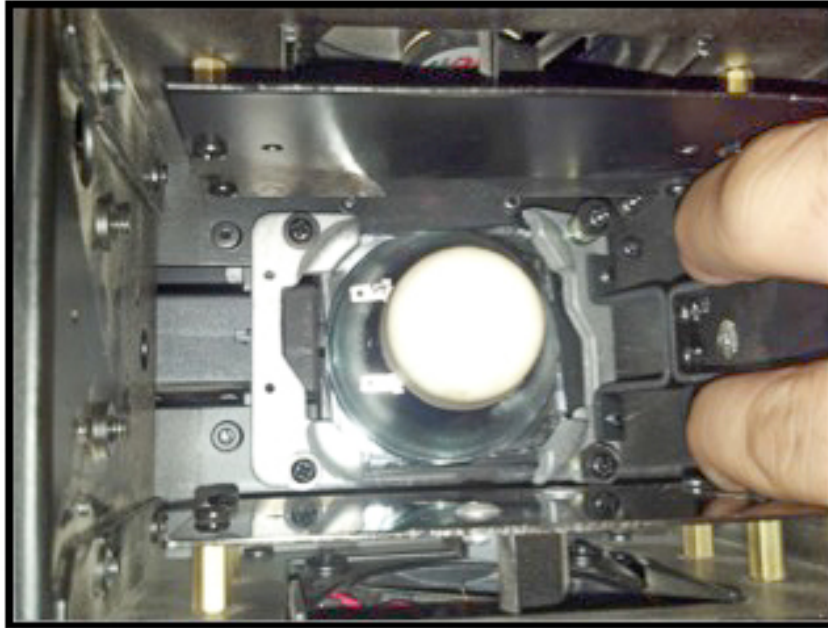
- Using two fingers on your **RIGHT** hand, pull the retention handle **OUT** and towards the **RIGHT** as far as possible.



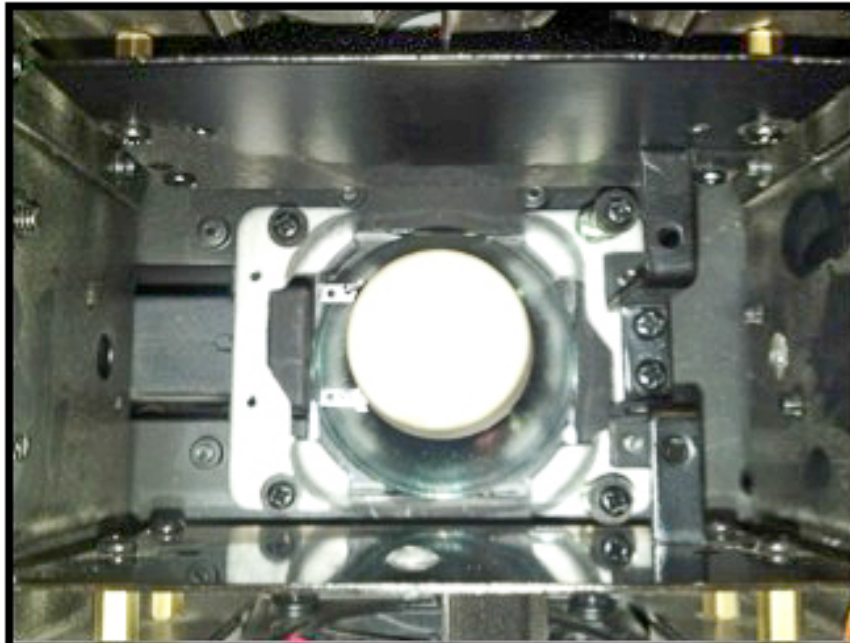
- While pulling the retention handle with your **RIGHT** hand, use your **LEFT** hand to gently install the lamp under the retention brackets by holding the lamp at a slight angle and positioning it until it is flush with the base.



7. While still holding the retention handle with your **RIGHT** hand, gently turn the lamp **CLOCKWISE** with your **LEFT** hand until the lamp is correctly aligned under the retention brackets.

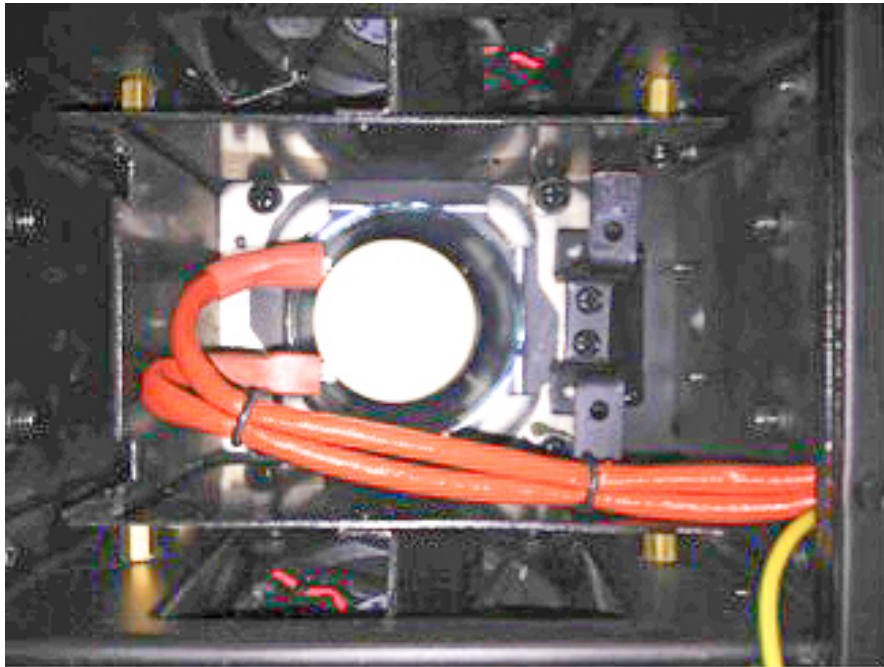


8. Release the retention handle with your **RIGHT** hand and make sure the handle is upright and not at an angle.

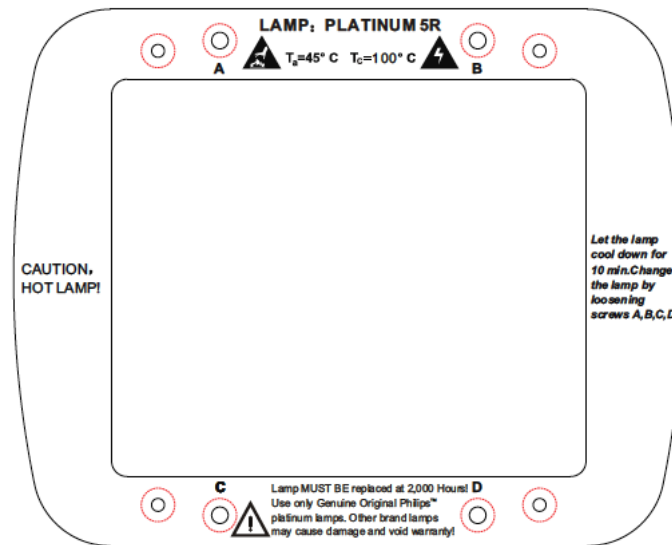




9. Gently attached **(2) Red Wires** connected to spade terminals on base of lamp.



10. Replace the lamp cover back into place by securing **(4) screws** marked **“A”**, **“B”**, **“C”**, and **“D”**.



11. Be sure to reset the **LAMP HOURS** in the system menu to prevent the protection circuitry from accidentally shutting off the lamp during normal operation.

12. If the lamp protection circuitry has already been initiated and the **LAMP HOURS** is not reset, the **“Replace the Lamp”** warning will continue to flash and fixture will eventually shut down. To reset **LAMP HOURS**, see instructions on the next page.

## LAMP HOURS RESET PROCEDURE

1. Activate the main menu by pressing **MODE/ESC** and toggle to **“Information”**.
2. Press **ENTER** and press **UP** or **DOWN** to toggle to **“Time Information”**.
3. Press **UP** or **DOWN** to toggle to **“L-Timer Password”** and press **ENTER**. Then press **UP** or **DOWN** to enter the reset pass code, **“038”** and press **ENTER** to confirm. The display will automatically revert to **“L-Timer Password”**, next press **UP** or **DOWN** to toggle down to **“Clear Lamp Time”**.
4. Press **ENTER** and select **“ON”**. The lamp timer has now been reset, press **MODE/ESC** to exit the menu and return to the home screen.

## LAMP OPTIMIZATION

Unlike traditional discharge lamps the **Phillips™ Platinum 5R PRO Lamp** does **NOT** require optimization. The lamp orientation and optimization procedure has been preset during the manufacturing process of the lamp.

Please remember the **Phillips™ Platinum 5R PRO Lamp** is **NOT** a hot-restrike lamp therefore, you must wait approximately **15 minutes** before you can attempt to restrike the lamp once it has been turned off.

## FIXTURE INSTALLATION



### CAUTION!

Please consider the GB7000.15/EN60598-2-17 and the other respective national norms during the installation. The installation must only be carried out by a qualified person.



### CAUTION!

The electric connection must only be carried out by a qualified electrician.



### CAUTIONS

- For added protection, mount the fixture in areas outside walking paths, seating areas, or in areas where unauthorized personnel might reach the fixture.
- Ambient operating temperature range for this fixture is **14° to 113°F. (-10° to 45°C)**. Do not use the fixture under or above this temperature.
- Before mounting the fixture to any surface, make sure the installation area can hold a minimum point load of 10 times the weight of the fixture. **(419 lbs / 190 kg)**
- Fixture installation must always be secured with a secondary safety attachment, such as an appropriate safety cable.
- Never stand directly below the device when mounting, removing or servicing.

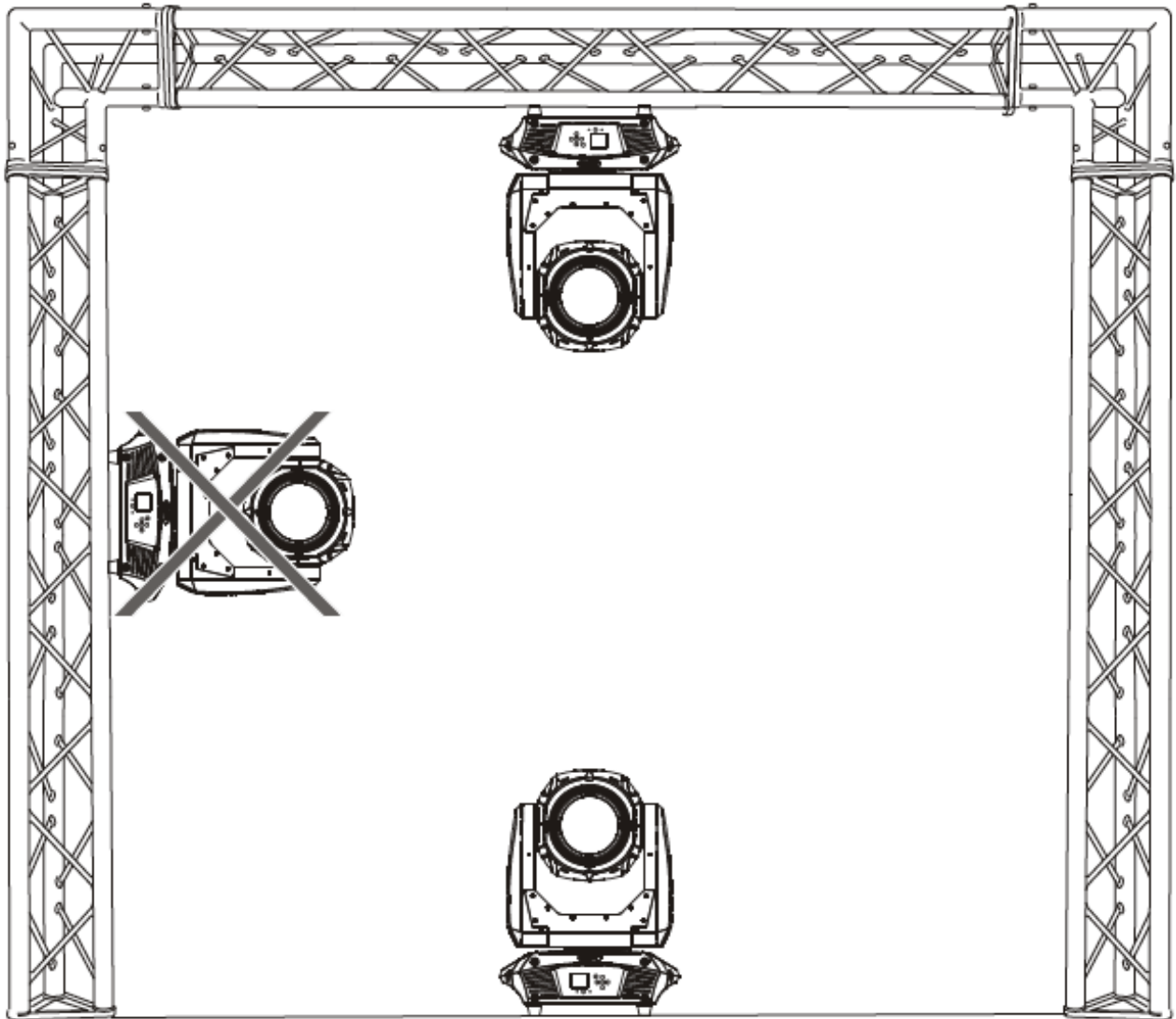


### FLAMMABLE MATERIAL WARNING

Keep fixture at least 1.5 ft (1.5m) away from any flammable materials, decorations, pyrotechnics, etc.

## MOUNTING POINTS

- Overhead mounting requires extensive experience, including amongst others calculating working load limits, installation material being used, and periodic safety inspection of all installation material and the device. If you lack these qualifications, do not attempt the installation yourself. Improper installation can result in bodily injury.
- Fixture is fully operational in the specific mounting positions as illustrated below.

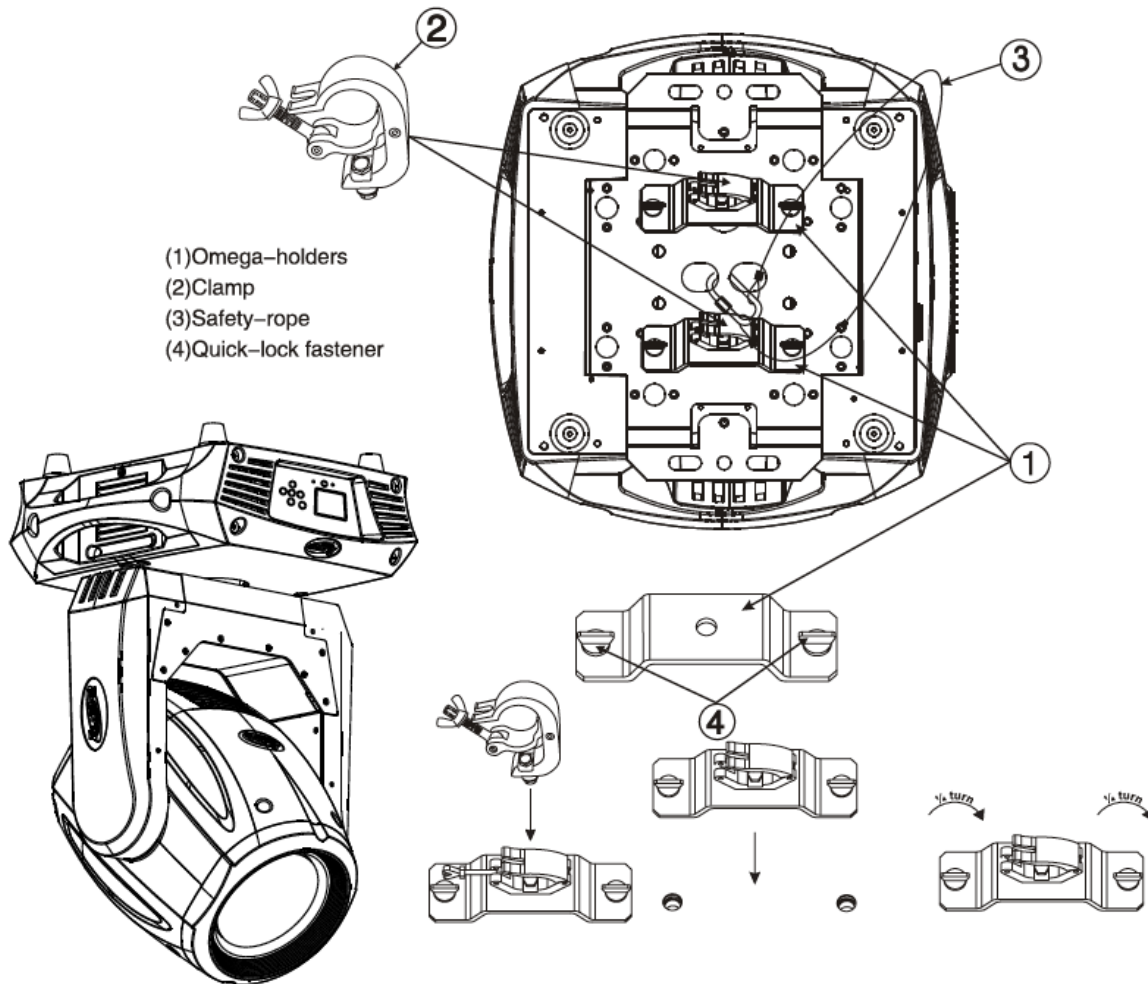


## SAFETY CABLE

**Always use a Safety Cable whenever installing this fixture in a suspended environment to ensure the fixture will not drop if the clamp fails.**

## CLAMP MOUNTING

The **PLATINUM BEAM 5R EXTREME™** provides a unique mounting bracket assembly that integrates the bottom of the base, the included **Omega Brackets (x2)** and safety cable rigging point in one unit (see the illustration below). When mounting this fixture to truss be sure to secure an appropriately rated clamps to the included omega brackets using a M10 screw fitted through the center hole of the **Omega Bracket**. Be sure to attach the included **Safety Cable** to the fixture using the safety cable rigging point integrated in the base assembly.



## SECURING

Regardless of the rigging option you choose for your **PLATINUM BEAM 5R EXTREME™** always be sure to secure your fixture with a safety cable. The fixture provides a built-in rigging point for a safety cable on the hanging bracket as illustrated above. Be sure to only use the designated rigging point for the safety cable and never secure a safety cable to a carrying handle.

## UNDERSTANDING DMX

### DMX-512

DMX is short for Digital Multiplex. This is a universal protocol used by most lighting and controller manufactures as a form of communication between intelligent fixtures and controllers. DMX allows all makes and models of different manufactures to be linked together and operate from a single controller. This is possible as long as all the fixtures and the controller are DMX compliant. A DMX controller sends the DMX data instructions to the fixture allowing the user to control the different aspects of an intelligent light. DMX data is sent out as serial data that travels from fixture to fixture via data "IN" and data "OUT" XLR terminals located on the fixtures (most controllers will only have output jacks).

### DMX LINKING

To ensure proper DMX data transmission, always use proper DMX cables and a terminator. When using several DMX fixtures try to use the shortest cable path possible. Never split a DMX line with a "Y" style connector. The order in which the fixtures are connected in a DMX line does not influence the DMX addressing. For example; a fixture assigned a starting DMX address of 1 may be placed anywhere in the DMX chain, at the beginning, at the end, or anywhere in the middle. The DMX controller knows to send data assigned to address 1 to that fixture no matter where it is located in the DMX chain. The **PLATINUM BEAM 5R EXTREME™** can be controlled via DMX-512 protocol and the DMX address is set via the control menu.

### DATA CABLE (DMX Cable) REQUIREMENTS (For DMX and Master/Slave Operation)

Your fixture and your DMX controller require a standard 3pin or 5pin XLR connector for data input and data output (see figure below). If you are making your own cables, be sure to use two conductor, shielded digital DMX cable rated at 120 ohms; this cable is designed for DMX transmission and may be purchased from your Elation dealer or at most professional lighting retailers. Your cables should be made with a male and female XLR connector on either end of the cable. Also, remember that a DMX line must be daisy chained and cannot be split, unless using an approved DMX splitter such as **Elation's Opto Branch 4™, Opto Branch 8™, or DMX-Branch/4™**.

DMX Output  
3-Pin XLR Socket



DMX Input  
3-Pin XLR Socket

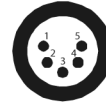


- 1: Ground
- 2: Data (-)
- 3: Data (+)


DMX Output  
5-Pin XLR Socket



DMX Input  
5-Pin XLR Socket



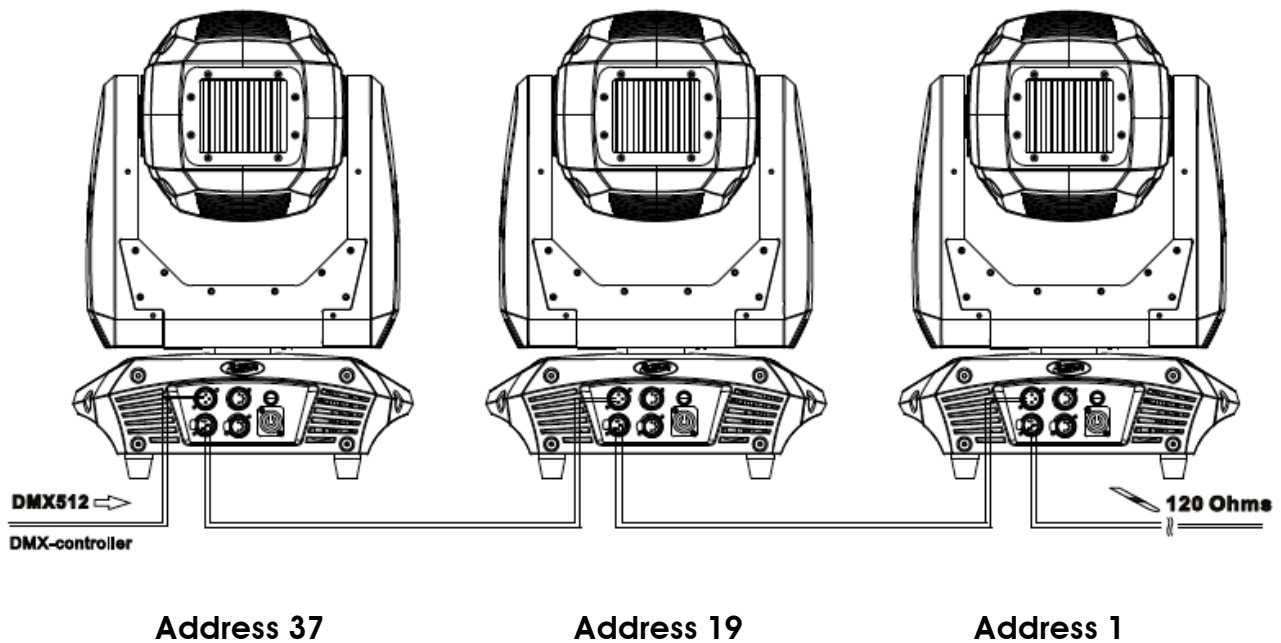
- 1: Ground
- 2: Data (-)
- 3: Data (+)
- 4: Open
- 5: Open



Be sure to follow the above figure when making your own cables. Do not use the ground lug on the XLR connector. Do not connect the cable's shield conductor to the ground lug or allow the shield conductor to come in contact with the XLR outer casing. Grounding the shield could cause a short circuit and erratic behavior.

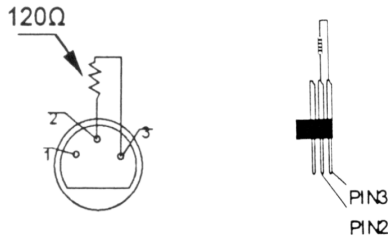
### DMX-512 CONTROLLER CONNECTION

Connect the provided XLR cable to the female XLR output of your controller and the other side to the male XLR input of the **PLATINUM BEAM 5R EXTREME™**. The diagram below illustrates a typical DMX-512 connection when the fixture is in the **18 Channel Extended Mode**. You can chain multiple panels together through serial linking. The cable that should be used is two conductor, shielded DMX cable with XLR input and output connectors. Always be sure daisy chain your in and out data connections, never split or "Y" your DMX connections unless you are using an approved DMX splitter such as **Elation's Opto Branch 4™, Opto Branch 8™, or DMX-Branch/4™**.



## DMX-512 CONNECTION WITH DMX TERMINATOR

A DMX terminator should be used in all DMX lines especially in longer runs. The use of a terminator may avoid erratic behavior in your DMX line. A terminator is a 120 ohm 1/4 watt resistor that is connected between pins 2 and 3 of a male XLR connector (DATA + and DATA -). This fixture is inserted in the female XLR connector of the last fixture in your daisy chain to terminate the line. Using a line terminator will decrease the possibilities of erratic behavior.



Termination reduces signal errors and avoids signal transmission problems and interference. It is always advisable to connect a DMX terminal, (Resistance 120 Ohm 1/4 W) between PIN 2 (DMX-) and PIN 3 (DMX +) of the last fixture.

## 5pin XLR DMX CONNECTORS

Some manufactures use 5pin XLR connectors for DATA transmission in place of 3pin. 5pin XLR fixtures may be implemented in a 3pin XLR DMX line. When inserting standard 5pin XLR connectors in to a 3pin line a cable adaptor must be used, these adaptors are readily available at most electric stores. The following chart details a proper cable conversion.

3-Pin XLR to 5-Pin XLR Conversion		
Conductor	3-Pin XLR Female (Out)	5-Pin XLR Male (In)
Ground/Shield	Pin 1	Pin 1
Data Compliment (- signal)	Pin 2	Pin 2
Data True (+ signal)	Pin 3	Pin 3
Not Used		Pin 4 - Do Not Use
Not Used		Pin 5 - Do Not Use



## DMX ADDRESSING

All fixtures should be given a DMX starting address when using a DMX controller, so the correct fixture responds to the correct control signal. This digital starting address is the channel number from which the fixture starts to “listen” to the digital control information sent out from the DMX controller. The allocation of this starting DMX address is achieved by setting the correct DMX address on the digital display located on the back of the fixture.

You can set the same starting address for all fixtures or a group of fixtures, or set different address for each individual fixture. Be advised that setting all fixtures to the same DMX address will subsequently control all fixtures in the same fashion, in other words, changing the settings of one channel will affect all the fixtures simultaneously.

If you set each fixture to a different DMX address, each unit will start to “listen” to the channel number you have set, based on the quantity of control channels (DMX channels) of each fixture. That means changing the settings of one channel will only affect the selected fixture.

In the case of the **PLATINUM BEAM 5R EXTREME™**, when in the **18 Channel Extended Mode** you should set the starting DMX address of the first unit to 1, the second unit to 19 (18 + 1), the third unit to 37 (19 + 18), and so on.

**Note:** During start-up the **PLATINUM BEAM 5R EXTREME™** will automatically detect whether a DMX data signal is being received or not. If DMX data signal is being received, the display will show "**Addr=XXX**" (**XXX** representing the actual DMX address). If the fixture is not receiving a DMX signal the display will flash. If your fixture is connected to a DMX controller and the display is flashing (not receiving a DMX signal), please check the following:

- The 3pin or 5pin XLR input plug (cable with DMX signal from controller) is not connected or is not inserted completely into the DMX input jack of the fixture.
- The DMX controller is switched off or defective.
- The DMX cable or connector is defective.
- A DMX terminator has been inserted into the last fixture in your DMX chain.

## FIXTURE MENU

### ON-BOARD SYSTEM MENU

The **PLATINUM BEAM 5R EXTREME™** comes with an easy to navigate system menu. The next section will detail the functions of each command in the system menu.

### LCD MENU CONTROL PANEL

The control panel (see image below) located on back of the fixture allows you to access the main menu and make all necessary adjustments to the **PLATINUM BEAM 5R EXTREME™**. During normal operation, pressing **MODE/ESC** button once will access the fixture's main menu. Once in the main menu you can navigate through the different functions and access the sub-menus with the **UP, DOWN, RIGHT, and LEFT** buttons. Once you reach a field that requires adjusting, press the **ENTER** button to activate that field and use the **UP** and **DOWN** buttons to adjust the field. Pressing the **ENTER** button once more will confirm your setting. You may exit the main menu at any time without making any adjustments by pressing the **MODE/ESC** button.

**NOTE:** To access the LCD Menu Control Display via the internal battery, press and hold the **DC SWITCH** button for 2 seconds. The LCD Menu Control Display will shut **OFF** automatically about 1 minute from the last button press. To shut **OFF** the LCD Menu Control Display immediately, set "**Reset Default**" menu option to "**ON**" in the "**Personality**" menu and press the **ENTER** button to confirm your selection.



**ELATION© PLATINUM BEAM 5R EXTREME™  
SYSTEM MENU**

Specifications and features are subject to change without any prior written notice.

MAIN MENU	SUB MENU	OPTIONS / VALUES (Default Settings in <b>BOLD</b> )		DESCRIPTION	
FUNCTION	Set DMX Address	A001~AXXX		DMX Address Setting	
	DMX Value	ALL.....		DMX Value Display	
	Set To Slave	Slave1, Slave2, Slave3		Slave Setting	
	Auto Program	Master / Alone		Auto Program	
	Sound Control	Master / Alone		Sound Control	
INFORMATION	Time Information	Current Time	XXXX (Hours)	Fixture Run Time From Power ON	
		Total Run Time	XXXX (Hours)	Fixture Total Run Time	
		Last Run Time	XXXX (Hours)	Clear Fixture Last Run Time	
		Lamp Hours	XXXX (Hours)	Lamp Total Run Time	
		Lamp Off Time	XXXX (Minutes)	Lamp OFF Time	
		LastRun Password	Password=XXX	Password <b>038</b>	
		Clear Last Run	ON / <b>OFF</b>	Reset Fixture Last Run Time	
		LampTime Password	Password=XXX	Password <b>038</b>	
	Clear Lamp Time	ON / <b>OFF</b>	Reset Lamp Run Time		
	Temperature Info	Head Temperature	XXX C° / F °	Temperature in Fixture Head	
Software Version	V1.0...		Software Version		
LAMP CONTROL	Lamp ON or OFF	<b>ON/OFF</b>		Lamp ON/OFF	
	Automatic Lamp ON/OFF	<b>ON/OFF</b>		Lamp ON/OFF when Power ON	
	Lamp ON via DMX	<b>ON/OFF</b>		Lamp ON via DMX	
	Lamp OFF via DMX	<b>ON/OFF</b>		Lamp OFF via DMX	
	Lamp ON at Temp	20~79°C ( <b>45°C</b> ) / 68 ~ 174°F ( <b>113°F</b> )		Lamp ON at Temp	
	Lamp OFF at Temp	80~139°C ( <b>130°C</b> ) / 176 ~ 282°F ( <b>266°F</b> )		Lamp OFF at Temp	
PERSONALITY	Status Settings	Address via DMX	<b>ON/OFF</b>	Address Via DMX	
		No DMX Status	Close/ <b>Hold</b> /Auto/Music	Auto Run If No DMX	
		Pan Reverse	<b>ON/OFF</b>	Pan Reverse Movement	
		Tilt Reverse	<b>ON/OFF</b>	Tilt Reverse Movement	
		Pan Degree	630/ <b>540</b> /540-90 Offset		Pan Degree Select
		Feedback	<b>ON/OFF</b>		Movement Feedback
		Movement Speed	Speed <b>1</b> ~ 4		Movement Mode Select
		Mic Sensitivity	0-99%		Sensitivity of Microphone
	Hibernation	OFF, 01M~99M, <b>15M</b>		Stand By Mode	
	Fans Control	<b>Auto</b> , High, Low		Fans Speed Select	
	Display Setting	Shutoff Time	02~60m <b>05m</b>	Display Shut Off Time	
		Display Reverse	<b>ON/OFF</b>	Display Reverse 180°	
		Key Lock	<b>ON/OFF</b>	Key Lock	
	Temperature C/F	<b>Celsius/Fahrenheit</b>		Temperature Switch Between C° / F°	
	Initial Effect	PAN =XXX		Initial Effect Position	
	Wireless DMX	WDMX OFF			De-activate WDMX
		<b>Activate WDMX</b>			Activate WDMX
Act & Data Out				Act & Data Out	
Rest WDMX Mem				Reset Wireless DMX Mem	
Reset Default	<b>ON/OFF</b>		Restore factory settings		
Reset Function	Reset All			Reset All Motors	
	Reset Pan/Tilt			Reset Pan/Tilt	
	Reset Colors			Reset Color Wheel	
	Reset Gobos			Reset Gobos	
	Reset Shutter			Reset Shutter and/or Dimmer	
	Reset Others			Reset Other Motors	
Effect Adjust	Test Channel	PAN .....		Test function	
	Manual Control	PAN =XXX, .....		Fine Adjustments	
	Calibrate Values	Calibrate Password		Password <b>050</b>	

ELATION© PLATINUM BEAM 5R EXTREME™ SYSTEM MENU				
Specifications and features are subject to change without any prior written notice.				
MAIN MENU	SUB MENU	OPTIONS / VALUES (Default Settings in <b>BOLD</b> )		DESCRIPTION
User Mode Set	User Mode	<b>Standard Mode</b>		DMX Channel Modes
		Basic Mode		
		Extended Mode		
	Edit User Mode	User Mode A		User Defined Channel Assignment
		User Mode B		
		User Mode C		
Max Channel = XX		Edits User Defined		
PAN = CH01		Channel Assignments		
Edit Program	Select Programs	Auto Pro Part1 = Program 1~10 ( <b>Program 1</b> )		Select Programs To Be Run
		Auto Pro Part2 = Program 1~10 ( <b>Program 2</b> )		
		Auto Pro Part3 = Program 1~10 ( <b>Program 3</b> )		
	Edit Program	Program 1	Program Test	Testing Program
		:	Step 01 = SCxxx	Program In Loop
		Program 10	Step 64 = SCxxx	Save and Exit
	Edit Scenes	Scene 001	Pan,Tilt,.....	Save and Automatically Return
		~	--Fade Time--	Manual Scenes Edit
		Scene 250	--Scene Time--	
			Input By Outside	Stores Scenes via Ext DMX Console
Record Controller	XX--XX	Automatic Scenes Recorder		

**FUNCTION - Set DMX Address**

Define desired DMX address via the Control Panel.

**FUNCTION - DMX Value**

Display DMX 512 value of each channel.

**FUNCTION - Set To Slave**

Define fixture slave mode (**Slave1, Slave2, Slave3**).

**FUNCTION - Auto Program**

Define fixture mode (**Master or Alone**) for running Auto Programs. Select desired internal programs under "**Select Program**", set the number of steps under "**Edit Program**", and edit individual scenes under "**Edit Scenes**".

**FUNCTION - Sound Control**

Define fixture mode (**Master or Alone**) for running Auto Programs via sound activation, default is **Master**.

**INFORMATION - Time Information - Current Time**

Displays fixture run time from last power ON.

The counter is reset after each time the fixture is powered OFF.

**INFORMATION - Time Information - Total Run Hours**

Displays fixture total run time.

**INFORMATION - Time Information - Last Run Hours**

Displays fixture run time for a given period of time (i.e. rental period).  
This counter can be reset.

**INFORMATION - Time Information - Lamp Hours**

Displays lamp total run time.  
This counter should be reset at each lamp change.

**INFORMATION - Time Information - Lamp Off Time**

Displays lamp run time from the last power ON.  
This counter is automatically reset after each time the lamp is powered ON.

**INFORMATION - Time Information - LastRun Password**

Display the fixture timer password. **(038)**

**INFORMATION - Time Information - Clear Last Run**

Resets the last run time of the fixture.

**INFORMATION - Time Information - LampTime Password**

Displays the lamp timer password. **(038)**

**INFORMATION - Time Information - Clear Lamp Time**

Resets the run time of the lamp.

**INFORMATION - Temperature Information - Head Temperature**

Displays temperature of the fixture.

**INFORMATION - Software Version**

Displays software version of the fixture.

**LAMP CONTROL - Lamp ON or OFF**

When ON, manual control of lamp power can be accessed via system menu.

**LAMP CONTROL - Automatic Lamp ON/OFF**

When ON, lamp is automatically powered ON when power is applied to fixture.

**LAMP CONTROL - Lamp ON via DMX**

When ON, lamp can be powered ON via a DMX controller.

**LAMP CONTROL - Lamp OFF via DMX**

When ON, lamp can be powered OFF via a DMX controller.

### **LAMP CONTROL - Lamp ON at Temp**

The fixture is designed to shut the lamp OFF when an excessive temperature is sensed inside the head by the on-board CPU. The lamp is shut OFF to prevent damage to the lamp and avoid possible internal damage to the fixture head. This function sets the MIN internal operating temperature of the fixture head before the lamp will restrike after the lamp has been automatically shut OFF.

### **LAMP CONTROL - Lamp OFF at Temp**

The fixture is designed to shut the lamp OFF when an excessive temperature is sensed inside the head by the on-board CPU. The lamp is shut OFF to prevent damage to the lamp and avoid possible internal damage to the fixture head. This function sets the MAX internal operating temperature of the fixture head when the lamp will automatically be shut OFF.

### **PERSONALITY - Status Settings - Address Via DMX**

Define desired DMX address via an external controller.

### **PERSONALITY - Status Settings - No DMX Status**

Define how fixture operates if NO DMX signal is detected.

### **PERSONALITY - Status Settings - Pan Reverse**

When ON, all PAN movements are reversed (inverted).

### **PERSONALITY - Status Settings - Tilt Reverse**

When ON, all TILT movements are reversed (inverted).

### **PERSONALITY - Status Settings - Pan Degree**

Select desired maximum degree of the Pan movement.

### **PERSONALITY - Status Settings - Feedback**

When ON, the fixture automatically performs PAN / TILT correction in the event either one is disrupted during normal operation.

### **PERSONALITY - Status Settings - Movement Speed**

Select desired Movement Speed.

### **PERSONALITY - Status Settings - Mic Sensitivity**

Select desired Microphone Sensitivity.

**PERSONALITY - Status Settings – Hibernation**

Select desired Hibernation time.

**PERSONALITY – Fans Control**

Select desired Fan setting.

**PERSONALITY - Display Setting – Shutoff Time**

Define how many minutes before the LCD Menu display will automatically shut OFF.

**PERSONALITY - Display Setting – Display Reverse**

When ON, the LCD Menu display by is rotated (inverted) 180°.

**PERSONALITY - Display Setting – Key Lock**

When ON, Control Panel buttons lock automatically after exiting main menu for 15 seconds. To unlock, keep **MODE/ESC** button pressed for 3 seconds.

**PERSONALITY – Temperature C/F**

Define how fixture displays internal temperature (Celsius or Fahrenheit).

**PERSONALITY – Initial Effect**

Create custom PAN/TILT and Effect settings and save as a custom Home Position.

**PERSONALITY – Wireless DMX**

Control the functionality of the internal wireless DMX receiver.

**PERSONALITY – Reset Default**

When ON, all factory settings are restored.

**RESET FUNCTION - Reset ALL**

Reset ALL internal motors to Home Position.

**RESET FUNCTION - Reset PAN and TILT**

Reset only PAN and TILT motors to Home Position.

**RESET FUNCTION - Reset Colors**

Reset only Color Wheel to Home Position.

**RESET FUNCTION - Reset Gobos**

Reset only Gobo Wheels to Home Position.

**RESET FUNCTION - Reset Shutter**

Reset only blackout Shutter to Home Position.

### **RESET FUNCTION - Reset Others**

Reset ALL other motors not associated previously listed commands to Home Position.

### **EFFECT ADJUST – Test Channel**

Select and auto test each individual channel function independently from the DMX control board.

### **EFFECT ADJUST – Manual Control**

Select and manually test and fine adjust each individual channel function Independently from DMX control board. This function will center PAN and TILT motors and set dimmer to 100%. PAN and TILT functions will still operate if the fixture needs to be positioned to a flat clear surface. With the individual functions, you can focus the light on a flat surface (wall) and perform fine adjustments.

### **EFFECT ADJUST – Calibration**



**ONLY QUALIFIED TECHNICIANS SHOULD PERFORM THIS FUNCTION.**

This function allows small adjustments to be made to the effect wheels (Color, Gobo, Shutter, etc.) to compensate for wear or in the event a sensor has been knocked slightly out of place. Because improper use of this function can result in undesired operation this function has been password protected. The password is **050** and must be entered each time the calibration menu function is entered. Because calibration is an extremely delicate procedure, instructions on performing this action are left out of this manual. For a first time calibrator, please contact our customer support team for step-by-step instructions.

### **USER MODE SET – User Mode**

Select operating mode, which includes DMX Channel and User defined modes.

### **USER MODE SET – Edit User Mode**

Create user defined channel orders allowing the fixture to match the channel order of other fixtures on the market for easier operation. A total of three user modes may be configured: User Mode A, User Mode B, and User Mode C.

### **EDIT PROGRAM – Select Program**

Select one of the (10) user defined internal Auto Programs.

### **EDIT PROGRAM – Edit Program**

Edit any of the (10) user defined internal Auto Programs.



## EDIT PROGRAM – Edit Scenes

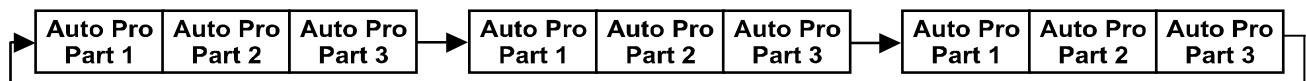
Edit any of the scenes of the internal Auto Programs.

## EDIT PROGRAM – Record Controller

The fixture features an integrated DMX-recorder by which you can transmit the programmed scenes from your DMX-controller to the moving head. Adjust the desired scene numbers via the encoder (from – to). When you call up the scenes at your controller, they will automatically be transmitted to the moving head.

## EDIT PROGRAM – Record Controller – Working With Built In Programs

A Master unit can send up to 3 different data groups to the Slave units, i.e. a Master unit can start 3 different Slave units, which run 3 different programs. The Master unit sends the 3 program parts in a continuous loop.



The Slave unit receives data from the Master unit according to the group which the Slave unit was assigned to. If e.g. a Slave unit is set to “**Slave 1**” in the menu “**Set to Slave**”, the Master unit sends “**Auto Program Part 1**” to the Slave unit.

If set to “**Slave 2**”, the Slave unit receives “**Auto Program Part 2**”.

To start an Auto Program proceed as follows:

### 1. Slave Setting

- Select “**Function Mode**”.
- Press **ENTER** to confirm.
- Select “**Set to Slave**”.
- Press **ENTER** to confirm.
- Select “**Slave 1**”, “**Slave 2**” or “**Slave 3**”.
- Press **ENTER** to confirm.
- Press **MODE/ESC** in order to return to the main menu.

## **EDIT PROGRAM – Record Controller – Working With Built-In Program [continued]**

### **2. Automatic Program Run**

- Select “**Function Mode**”.
- Press **ENTER** to confirm.
- Select “**Auto Program**”.
- Press **ENTER** to confirm.
- Select “**Master**” or “**Alone**”.
- Press **ENTER** to confirm.
- Press **MODE/ESC** in order to return to the main menu.

### **3. Program Selection for Auto Pro Part**

- Select “**Edit Program**”.
- Press **ENTER** to confirm.
- Select “**Select Programs**”.
- Press **ENTER** to confirm.
- Select “**Auto Pro Part 1**”, “**Auto Pro Part 2**” or “**Auto Pro Part 3**”, and select which Slave program is to be sent. Selection “**Part 1**” means, that the Slave unit runs the same program as the master units.
- Press **ENTER** to confirm.
- Press **MODE/ESC** in order to return to the main menu.

### **4. Program Selection for Edit Program**

- Select “**Edit Program**”.
- Press **ENTER** to confirm.
- Select “**Edit Program**”.
- Press **ENTER** to confirm.
- Select the desired program. With this function you can edit specific scenes into a specific program.
- Press **ENTER** to confirm.
- Press **MODE/ESC** in order to return to the main menu.

**EDIT PROGRAM – Record Controller – Working With Built-In Program [continued]**

**5. Automatic Scene Recording**

- Select “**Edit Program**”.
- Press **ENTER** to confirm.
- Select “**Edit Scenes**”.
- Select desired scene numbers. A maximum of 250 scenes can be programmed.
- Press **ENTER** to confirm.
- Press **MODE/ESC** in order to return to the main menu.

**Example:**

Program 2 includes scenes: 10, 11, 12, & 13

Program 4 includes scenes: 8, 9, & 10

Program 6 includes scenes: 12, 13, 14, & 15

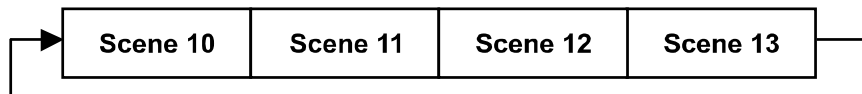
Auto Pro Part 1 is Program 2

Auto Pro Part 2 is Program 3

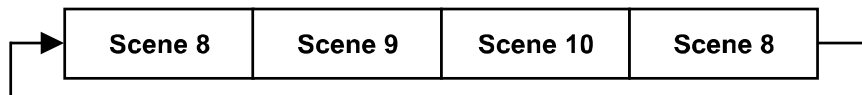
Auto Pro Part 3 is Program 6

The 3 Slave groups run the Auto Program in certain time segments, as shown in the following picture:

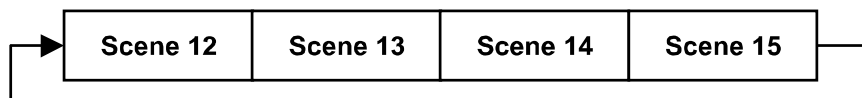
**Part 1:**



**Part 2:**



**Part 3:**



## INTERNAL WIRELESS DMX RECEIVER (EWDMX)

The **PLATINUM BEAM 5R EXTREME™** is equipped with an internal **Elation** Wireless DMX Receiver, which is fully compatible with an **Elation** Wireless DMX System.

### WORKING WITH THE INTERNAL WIRELESS DMX (EWDMX) System

Access the “**Wireless DMX**” sub menu from the “**PERSONALITY**” menu. The “**Wireless DMX**” sub menu allows you to “**Activate**” (turn **ON**) the system, “**Deactivate**” (turn **OFF**) the system, or “**Reset**” (**CLEAR**) the **EWDMX** system.

When the **EWDMX** system is “**Activated**” the internal DMX “**IN**” XLR jacks are turned OFF. However the internal DMX “**OUT**” XLR jacks will function normally.

If the fixture is powered ON with the internal **EWDMX** system “**Activated**”, it will automatically scan for a wireless DMX signal from an **Elation Wireless Transmitter**. If NO wireless signal is received, it will electronically switch to the wired DMX mode.



### WARNING!

**NEVER connect a fixture to a controller via a DMX cable when the EWDMX system is in use. This could cause serious damage to the controller!!**

### SETTING UP THE EWDMX SYSTEM

Follow the instructions included with the **Elation EWDMX Transmitter** and connect it to the output of your DMX controller.

To sync your fixture with the **Elation EWDMX Transmitter** follow the steps below

- Initially, the **EWDMX** indicator on the fixture should be solid **RED**.
- Press and hold the configuration button on your **EWDMX Transmitter** for about 3 seconds. The **RED/GREEN LED** indicators on the **EWDMX Transmitter** and the fixture should then begin to flash rapidly for about 5~ 10 seconds while the two systems pair.
- Once the fixture is paired with the **EWDMX Transmitter (T1)**, the **EWDMX** status indicators on the both the fixture and the **EWDMX Transmitter** will stop flashing and glow solid **GREEN**. If pairing is unsuccessful repeat the process until pairing is secured.
- The fixture will store the pairing information inside a nondestructive memory bank once a link is created between the fixture and an **EWDMX Transmitter**. The fixture will remember the paired **EWDMX Transmitter** even if the fixture is turned OFF for extended periods of time.

## CLEARING EWDMX TRANSMITTER LINK

- Access the fixture's main menu and toggle to the "**PERSONALITY**" menu, then access the "**Wireless DMX**" sub menu and select "**Clean WDMX Memo**" to clear any existing link between the fixture and a **EWDMX Transmitter**. The **EWDMX** indicator on the fixture will turn solid **RED** when the link is severed.
- You may also clear the link directly from the **EWDMX Transmitter**. First, be sure the fixture(s) is powered ON, and then hold down the configuration button on the **WDMX Transmitter** for at least 5 seconds. This will automatically clear the link between the **EWDMX Transmitter** and any fixture that is powered ON. All **EWDMX** indicators will glow solid **RED** if the procedure was successful.

## EWDMX INDICATORS

**RED/GREEN** (Rapid Flashing) = Syncing to a EWDMX Transmitter

**RED/GREEN** (Slow Flashing) = Paired with a EWDMX Transmitter but not receiving a DMX signal from a controller.

**GREEN** (Solid) = Paired with a EWDMX Transmitter and receiving DMX data

**RED** (Solid) = Not paired with a EWDMX Transmitter (FREE)

# DMX CHANNEL FUNCTIONS AND VALUES

ELATION© PLATINUM BEAM 5R EXTREME™				
DMX Channel Values / Functions (18 DMX Channels)				
Specifications are subject to change without any prior written notice.				
*Rotation direction (Clockwise or Counterclockwise) of COLOR, GOBO, and PRISM effects depends on the orientation of the fixture head.				
MODE / CHANNEL			VALUE	FUNCTION
STAND	BASIC	EXTEND		
1	1	1		<b>PAN MOVEMENT [8 BIT]</b>
			0-255	PAN Movement By 630/540
2		2		<b>PAN FINE MOVEMENT [16 BIT]</b>
			0-255	Fine Control of PAN Movement
3	2	3		<b>TILT MOVEMENT [8 BIT]</b>
			0-255	TILT Movement By 270
4		4		<b>TILT MOVEMENT [16 BIT]</b>
			0-255	Fine Control of TILT Movement
5	3	5		<b>COLOR WHEEL</b>
			0-10	OPEN / WHITE
			11-21	RED
			22-32	BLUE
			33-43	GREEN
			44-54	YELLOW
			55-65	MAGENTA
			66-76	LIGHT BLUE
			77-87	ORANGE
			88-98	PURPLE
			99-109	UV FILTER
			110-120	CTO
			121-127	CTB
			128-189	*Clockwise Color Rotation from FAST to SLOW
			190-193	NO Rotation
194-255	*Counterclockwise Color Rotation from SLOW to FAST			
		6		<b>COLOR WHEEL FINE ADJUSTMENT</b>
			0-255	FINE Adjustment of Color Wheel to Any Position
6	4	7		<b>ROTATING GOBOS, CONTINUOUS ROTATION</b>
			0-9	OPEN / WHITE
			10-19	Rotating Gobo 1
			20-29	Rotating Gobo 2
			30-39	Rotating Gobo 3
			40-49	Rotating Gobo 4
			50-59	Rotating Gobo 5
			60-69	Rotating Gobo 6
			70-79	Rotating Gobo 7
			80-89	Rotating Gobo 8
			90-104	Rotating Gobo 1 Shake
			105-119	Rotating Gobo 2 Shake
			120-134	Rotating Gobo 3 Shake
			135-149	Rotating Gobo 4 Shake
			150-164	Rotating Gobo 5 Shake
			165-179	Rotating Gobo 6 Shake
			180-194	Rotating Gobo 7 Shake
			195-209	Rotating Gobo 8 Shake
			210-255	Gobo Wheel Continuous Rotation from SLOW to FAST
			7	5
0-127	Gobo Indexing			
128-189	*Clockwise Gobo Rotation from FAST TO SLOW			
190-193	NO Rotation			
194-255	*Counterclockwise Gobo Rotation from SLOW to FAST			

ELATION® PLATINUM BEAM 5R EXTREME™				
DMX Channel Values / Functions (18 DMX Channels)				
Specifications are subject to change without any prior written notice.				
*Rotation direction (Clockwise or Counterclockwise) of COLOR, GOBO, and PRISM effects depends on the orientation of the fixture head.				
MODE / CHANNEL			VALUE	FUNCTION
STAND	BASIC	EXTEND		
		9		<b>ROTATING GOBOS, FINE INDEX ROTATION</b>
			0-255	Gobo Rotation FINE Indexing
				<b>ROTATING PRISM, PRISM / GOBO MACROS</b>
			0-3	OPEN
			4-63	8-FACET PRISM *Clockwise Rotation from FAST to SLOW
			64-67	NO Rotation
			68-127	8-FACET PRISM *Counterclockwise Rotation from SLOW to FAST
			128-135	Macro 1
			136-143	Macro 2
			144-151	Macro 3
			152-159	Macro 4
			160-167	Macro 5
			168-175	Macro 6
			176-183	Macro 7
			184-191	Macro 8
			192-199	Macro 9
			200-207	Macro 10
			208-215	Macro 11
			216-223	Macro 12
			224-231	Macro 13
			232-239	Macro 14
			240-247	Macro 15
			248-255	Macro 16
				<b>FOCUS</b>
9	7	11	0-255	Continuous Adjustment from NEAR to FAR
				<b>FOCUS FINE</b>
		12	0-255	Continuous FINE Focus Adjustment
				<b>SHUTTER, STROBE</b>
			0-31	Shutter CLOSED
			32-63	NO Function (Shutter OPEN)
			64-95	Strobe Effect SLOW to FAST
			96-127	NO Function (Shutter OPEN)
			128-159	Pulse Effect In Sequences
			160-191	NO Function (Shutter OPEN)
			192-223	Random Strobe Effect SLOW to FAST
			224-255	NO Function (Shutter Open)
				<b>DIMMER INTENSITY</b>
11	9	14	0-255	Intensity 0 to 100%
				<b>DIMMER INTENSITY FINE</b>
		15	0-255	Dimmer Intensity FINE Adjustment
				<b>FROST</b>
12	10	16	0-127	Disable FROST
			128-255	Enable FROST
				<b>PAN / TILT MOVEMENT SPEED</b>
			0-225	MAX to MIN Speed
13	11	17	226-235	Blackout by Movement
			236-245	Blackout by ALL Wheel Changing
			246-255	NO Function

ELATION® PLATINUM BEAM 5R EXTREME™				
DMX Channel Values / Functions (18 DMX Channels)				
Specifications are subject to change without any prior written notice.				
*Rotation direction (Clockwise or Counterclockwise) of COLOR, GOBO, and PRISM effects depends on the orientation of the fixture head.				
MODE / CHANNEL			VALUE	
STAND	BASIC	EXTEND	FUNCTION	
14	12	18	<b>LAMP ON/OFF, RESET, INTERNAL PROGRAMS</b>	
			0-19	COLOR & GOBO Change Normal
			20-29	COLOR Change to Any Position
			30-39	COLOR & GOBO Change to Any Position
			40-59	LAMP ON
			60-79	LAMP Switch OFF
			80-84	ALL Motor Reset
			85-87	SCAN Motor Reset
			88-90	COLORS Motor Reset
			91-93	GOBO Motor Reset
			94-96	SHUTTER & DIMMER Motor Reset
			97-99	OTHER Motor Reset
			100-119	Internal Program 1
			120-139	Internal Program 2
			140-159	Internal Program 3
			160-179	Internal Program 4
			180-199	Internal Program 5
			200-219	Internal Program 6
220-239	Internal Program 7			
240-255	Auto Program by Sound Control			



## ERROR CODES

When power is applied, the unit will automatically enter a **“Reset/Test”** mode. This mode brings all the internal motors to a home position. If there is an internal problem with one or more of the motors an error code will flash in the display in the form of **“XXEr”** where as XX will represent a function number. For example, when the display shows **“0Er”** it means there is some type of error with the Pan motor. If there are multiple errors during the start-up process they will all flash in the display. For example: if the fixtures has errors on **Channel 1, 2, and 5** all at the same time, you will see the error message **“01Er”, “02Er”, and “05Er”** flash repeated 5 times.

If an error does occur during the initial start-up procedure the fixture will self-generate a second reset signal and try to realign all the motors and correct the errors. If the error persists after a second attempt a third attempt will be made. If after a third attempt all the errors have not been corrected the fixture will make the following determinations:

- **3 or More Errors** - The fixture cannot function properly with three or more errors therefore the fixture will place itself in a stand-by mode until subsequent repairs can be made.
- **Less Than 3 Errors** - The fixture has less than 3 errors; therefore most other functions will work properly. The fixture will attempt to operate normally until the errors can be correct by a technician. The errors in question will remain flashing in the display as a reminder of internal errors.

### **PAN Movement Er**

The yoke is not located in the default position after start-up or after a reset command. This message will appear after a fixture reset if the pan’s magnetic-indexing circuit malfunctions (sensor failed or magnet is missing) or there is a motor failure (defective motor or a defective motor IC drive on the main PCB). This error may also be displayed if the head/yoke was blocked during a reset function.

### **TILT Movement Er**

This message will appear after a fixture reset if the tilt’s magnetic-indexing circuit malfunctions (sensor failed or magnet is missing) or there is a motor failure (defective motor or defective motor IC drive on main PCB). This error may also be displayed if the head was blocked during a reset function.

### **Color Wheel Er**

The color wheel is not located in the default position after start-up or after a reset command. This message will appear after a fixture reset if the color wheel's magnetic-indexing circuit malfunctions (sensor failed or magnet is missing) or there is a stepper motor failure (defective motor or defective motor IC drive on main PCB).

### **Gobo Wheel 1 Er**

The gobo-wheel is not located in the default position after start-up or after a reset command. This message will appear after a fixture reset if the gobo wheel's magnetic-indexing circuit malfunctions (sensor failed or magnet is missing) or there is a stepper motor failure (defective motor or defective motor IC drive on main PCB).

### **Gobo Rot 1 Er**

The gobo is not located in the default position after start-up or after a reset command. This message will appear after a fixture reset if the gobo positioning magnetic-indexing circuit malfunctions (sensor failed or magnet is missing) or there is a stepper motor failure (defective motor or defective motor IC drive on main PCB).

### **Focus Er**

This message will appear after the reset of the fixture and if the magnetic indexing circuit malfunctions (sensor failed or magnet missing) or the stepping-motor is defective (or its driver circuit on the main PCB). The focus motor is not located in the default position after the reset.

### **Prism Rot Er**

This message will appear after the reset of the fixture and if the magnetic indexing circuit malfunctions (sensor failed or magnet missing) or the stepping-motor is defective (or its driver circuit on the main PCB). The prism wheel is not located in the default position after the reset.

## CLEANING AND MAINTENANCE



### CAUTION!

Disconnect from mains before starting maintenance operation.

### CLEANING

Frequent cleaning is recommended to insure proper function, optimized light output, and an extended life. The frequency of cleaning depends on the environment in which the fixture operates: damp, smoky or particularly dirty environments can cause greater accumulation of dirt on the fixture's optics.

- Clean the external lens surface at least every 20 days with a soft cloth to avoid dirt/debris accumulation.
- Never use alcohol, solvents, or ammonia based cleaners.

### MAINTENANCE

Regular inspections are recommended to insure proper function and extended life. There are no user serviceable parts inside this fixture, please refer all other service issues to an authorized Elation service technician. Should you need any spare parts, please order genuine parts from your local Elation dealer.

Please refer to the following points during routine inspections:

- A detailed electric check by an approved electrical engineer every three months, to make sure the circuit contacts are in good condition and prevent overheating.
- Be sure all screws and fasteners are securely tightened at all times. Loose screws may fall out during normal operation resulting in damage or injury as larger parts could fall.
- Check for any deformations on the housing, color lenses, rigging hardware and rigging points (ceiling, suspension, trussing). Deformations in the housing could allow for dust to enter into the fixture. Damaged rigging points or unsecured rigging could cause the fixture to fall and seriously injure a person(s).
- Electric power supply cables must not show any damage, material fatigue or sediments. Never remove the ground prong from the power cable.

# TECHNICAL SPECIFICATIONS

## FEATURES

3° Sharp Pin Spot Beam  
CTO and CTB Color Correction  
8 Facet Rotating Prism and Frost Effects  
Super Fast 16 bit 3-Phase Pan and Tilt Motors  
Flicker Free Operation for TV and FILM  
Internal EWDMX Wireless DMX Receiver  
Remote Device Management Protocol Support

## SOURCE

189W Platinum 5R Lamp  
2,000 Hour Average Life

## PHOTOMETRIC DATA

100,100 LUX 9,299 FC @49.2' (15M)

## EFFECTS

Frost  
Motorized Focus  
Strobe (1-18 fps)  
Electronic Dimming: 0% - 100%  
8 Facet Rotating Prisms and Macros

## COLOR

(12) Colors Including UV, CTO, CTB + White

## GOBOS

(8) Metal Rotating, Indexing, Interchangeable Gobos

## CONTROL / CONNECTIONS

(3) DMX Channel Modes (1/2/14/18)  
Remote Device Management  
Pan Movement: 540°/630° / Tilt Movement: 270°  
6 Button Control Panel  
Full Color 180° Reversible LCD Menu Display  
16 Bit 3-Phase Pan/Tilt Motors  
3pin & 5pin DMX In/Out  
powerCON In  
Internal EWDMX Wireless DMX Receiver

## SIZE / WEIGHT

Length: 13.9" (352mm)  
Width: 13.0" (329mm)  
Vertical Height: 20.0" (509mm)  
Weight: 44.0 lbs. (20.0 kg)

## ELECTRICAL / THERMAL

AC 100-240V - 50/60Hz  
350W Max Power Consumption  
14°F to 113°F (-10°C to 45°C)

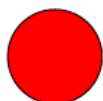
## APPROVALS / RATINGS

CE Approved, cETLus Approved, IP20 Rated

**Please Note: Specifications and improvements in the design of this unit and this manual are subject to change without any prior written notice.**

## COLORS + GOBOS

### COLORS



RED



BLUE



GREEN



YELLOW



MAGENTA



LIGHT BLUE



ORANGE



PURPLE



UV FILTER



CTO



CTB

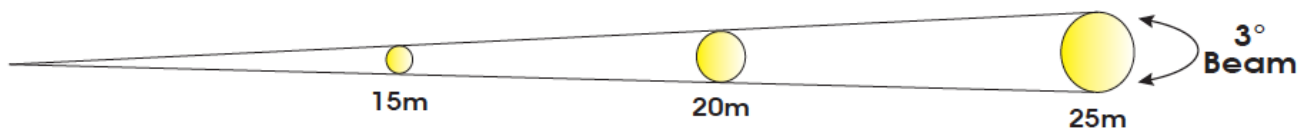


WHITE

### ROTATING GOBOS



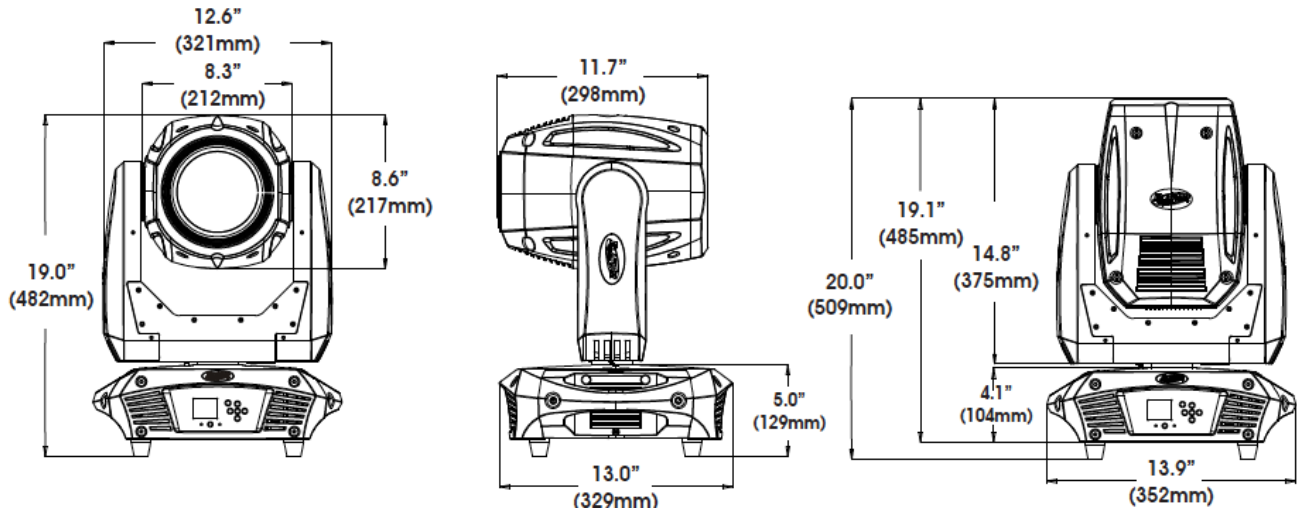
### PHOTOMETRIC DATA



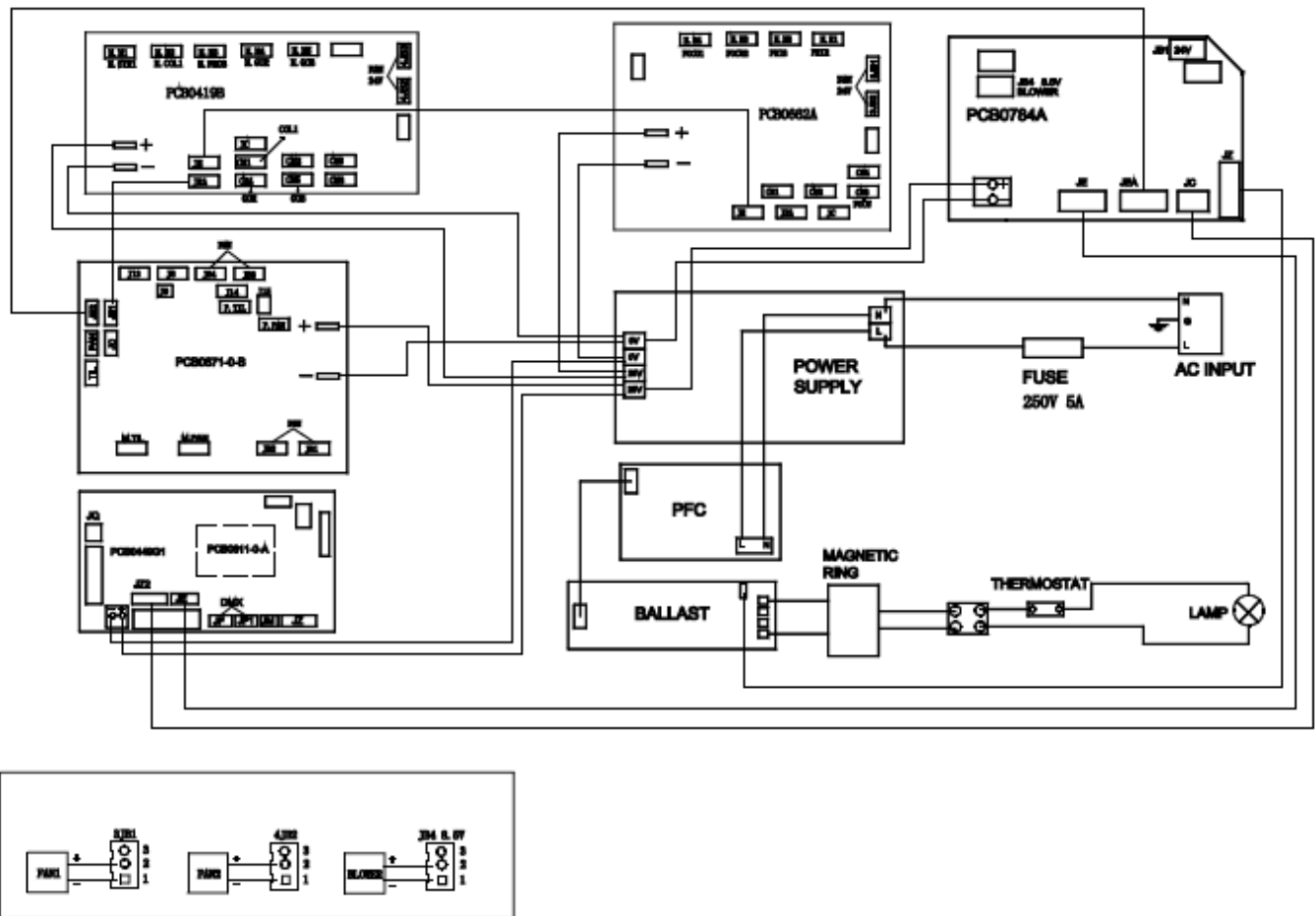
Distance	15m		20m		25m	
	m	ft	m	ft	m	ft
3° Beam Diameter	0.79	2.6	1.05	3.4	1.31	4.3
	lux	fc	lux	fc	lux	fc
FULL ON	100,100	9,299	55,363	5,143	35,915	3,337

Please Note: Specifications and improvements in the design of this unit and this manual are subject to change without any prior written notice.

### DIMENSIONAL DRAWINGS



### CIRCUIT SCHEMATICS



Please Note: Specifications and improvements in the design of this unit and this manual are subject to change without any prior written notice.

## OPTIONAL ACCESSORIES

ORDER CODE	ITEM
TRIGGER CLAMP	Heavy Duty Wrap Around Hook Style Clamp
DRCPLAT	Dual Flight Case For Platinum Beam 5R EXTREME™
DRCPLATQUAD	Quad Flight Case For Platinum Beam 5R EXTREME™
ELO211	Eloader II™ Software Updater Box
EWDMXSYSTEM	Wireless DMX System (1 Transmitter, 1 Receiver)
EWDMXT	Wireless DMX Transmitter
EWDMXR	Wireless DMX Receiver
AC3PDMX5PRO	5 ft. (1.5m) 3pin PRO DMX Cable
AC3PDMX10PRO	10 ft. (3m) 3pin PRO DMX Cable
AC5PDMX5PRO	5 ft. (1.5m) 5pin PRO DMX Cable
AC5PDMX10PRO	10 ft. (3m) 5pin PRO DMX Cable
	Additional cable lengths available: 15, 25, 50, 100 ft (4.5, 7.5, 15.2, 30.5m)



